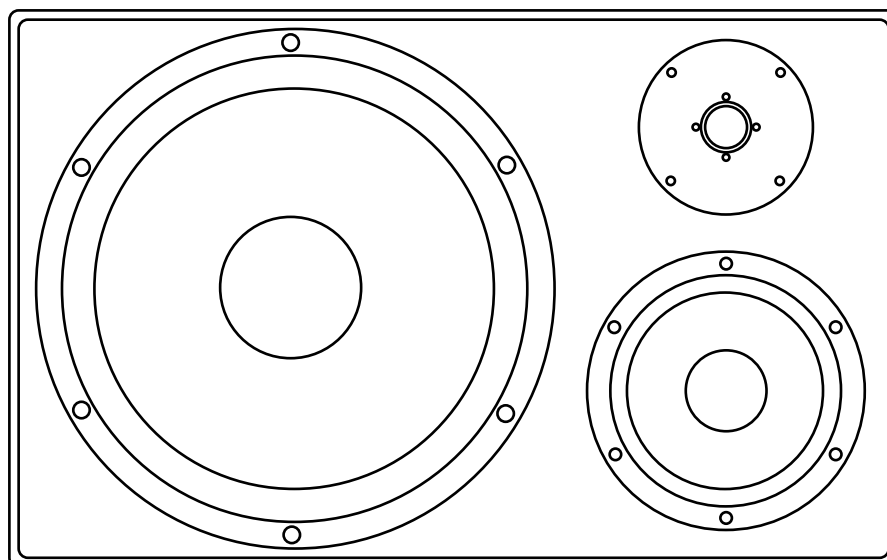


# N-Monitors N300P-C

## PROFESSIONAL PASSIVE MONITORING SYSTEM

Specification sheet



N-Acoustic. 460000 Orenburg – Russia. [www.n-acoustic.ru](http://www.n-acoustic.ru)

Due to constant technological advances, N-Acoustic reserves its right to modify specifications without notice. Images may not conform exactly to specific product.

# N300P-C PROFESSIONAL PASSIVE MONITORING SYSTEM

## SPECIFICATION SHEET

PERFORMANCE	
<b>System type</b>	Three-way passive
<b>Type of enclosure</b>	Closed Box
<b>Frequency response</b>	37Hz – 25kHz
<b>Maximum SPL</b>	112dB SPL
<b>Sensitivity</b>	89dB @2.83V , 1m
<b>Impedance</b>	6Ohm (Minimum 4.6Ohm)
<b>Power Rating</b>	AES 300W
	Recom. Amp. 100 - 400W (4Ohm)

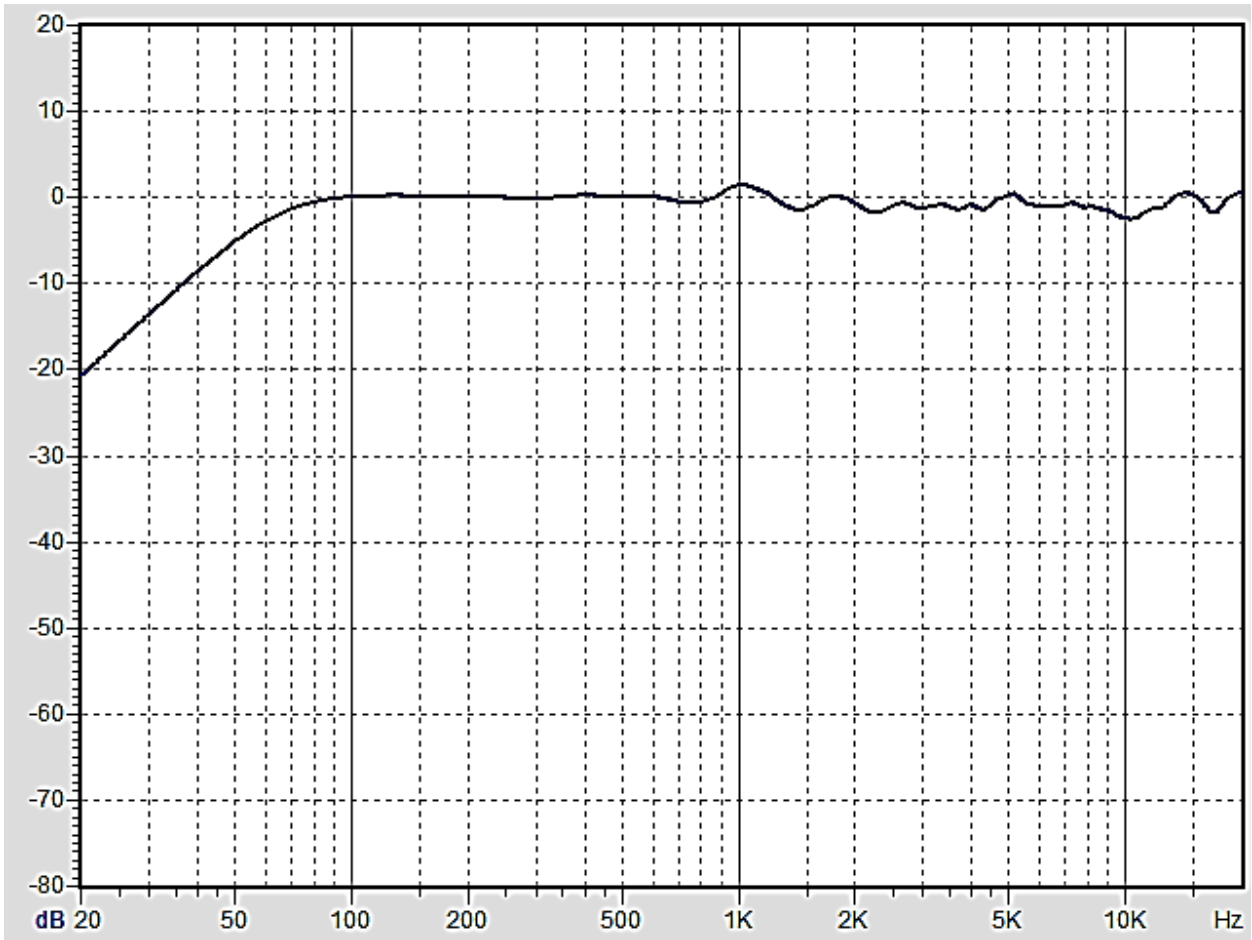
ELECTRONIC SECTION	
<b>Type of crossover</b>	Passive
<b>Point of crossover</b>	Lo/Mid: 790Hz, Mid/Hi: 3900Hz
<b>Topology:</b>	Lo/Mid: Butterworth III/II (acoustical)
	Mid/Hi: Butterworth IV/IV (acoustical)
<b>Impedance</b>	Nominal 6Ohm
	Minimum 4.6Ohm

DRIVERS	
<b>LF driver</b>	Cone material Coated paper
	Diam. 250mm
	VC diam. 40mm
	Pwr. rating 150W
<b>MF driver</b>	Cone material Coated paper
	Diam. 135mm
	VC diam. 25mm
	Pwr. rating 70W (>400Hz)
<b>HF driver</b>	Cone material Aluminum-Ceramic Dome
	Susp. Silk
	Diam. 94mm
	VC diam. 25mm
	Pwr. rating 150W (>2500Hz)

CABINET	
<b>Construction</b>	16mm MDF
<b>Finish</b>	Warnex (black)
<b>Dimensions(HxLxD)</b>	300mm x 480mm x 350mm
<b>Weight</b>	15kg

# N300P-C PROFESSIONAL PASSIVE MONITORING SYSTEM

FREQUENCY RESPONSE 1/12 OCTAVE SMOOTHING



**N300P-C**  
**PROFESSIONAL PASSIVE MONITORING SYSTEM**  
FREQUENCY RESPONSE 1/12OCTAVE SMOOTHING

---